

DSM-4000DUS SERIES

8-pt. digital setpoint monitors

■ MODELS

DSM-4688DUS: 8 analog voltage points
ModBus RTU communications

DSM-4689DUS: 8 analog voltage points plus
Tach/overspeed/hourmeter
ModBus RTU communications

■ Universal features

- Programmable high/low setpoints
- Displays faults in sequence
- Solid-state form C output switch

■ RS-485 serial port

■ Rugged powder-coated aluminum case

■ Universal application:

- Compressor process pressures/temperatures
- Engine water and oil pressures/temperatures
- Cylinder exhaust temperatures
- Turbocharger inlet/outlet temperatures
- Catalytic converter inlet/outlet temperatures
- Critical points on heavy-duty machinery

The Altronic DSM-4000DUS series digital setpoint monitors are microprocessor-based instruments designed to monitor critical process variables, usually pressures, temperatures and speed. Power is from any 12 or 24 volt DC source capable of supplying 10 watts.

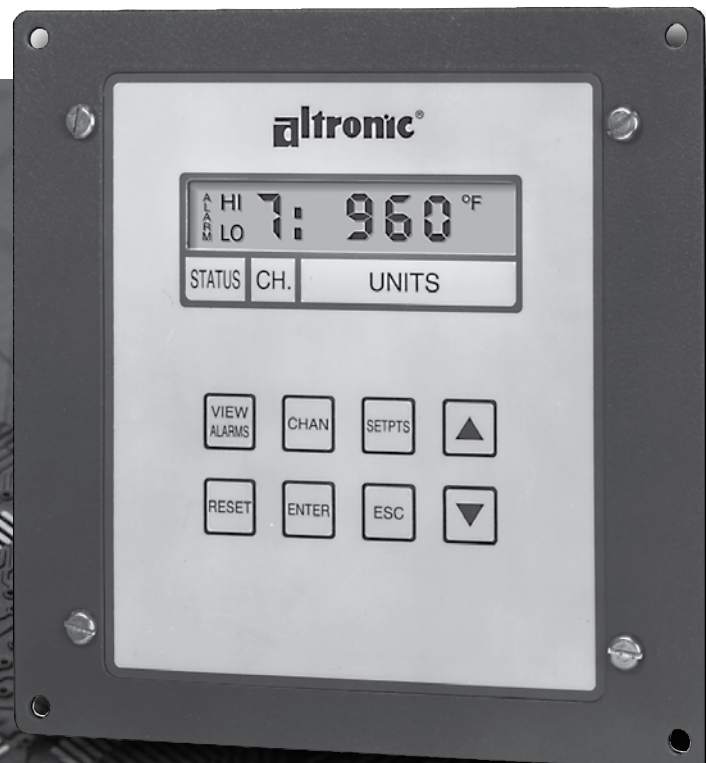
- DSM-4688DUS: Accepts eight (8) analog voltage inputs individually user-selectable for 0-5Vdc, 1-5Vdc, or 0.5-4.5Vdc. ModBus RTU communications.
- DSM-4689DUS: Same as DSM-4688DUS, plus a tachometer/overspeed/hourmeter function. One additional input is provided for connection to a C.D. ignition system. ModBus RTU communications.

The LCD display indicates both the channel number and the monitored variable. The front panel sealed membrane keypad provides easy selection and adjustment of the units, range, setpoints and other configuration data. High and low setpoints are set individually for each of the eight standard channels from the front of the device using the keypad and the display. Any fault trips a form C, solid-state output switch; fault information by sequence of occurrence is available on the display and via the serial port. The integral RS-485 port allows the monitored values and status of all channels to be communicated to a PC, PLC or other suitable device.

The DSM devices are housed in a gasketed, powder-coated aluminum case and assembled using stainless steel hardware, making them ideal for oilfied or other demanding environmental applications.

For the DSM-4688/4689, Altronic solid-state pressure transducers are available in six ranges from 0-100 to 0-5000psi (0-680Kpa to 0-340bar). In addition, unique, solid state temperature transducers are available in two ranges: +5°F. to 300°F. (15°C. to 150°C.) and 40°F. to 450°F. (40°C. to 230°C.).

 CERTIFIED CLASS 1
DIVISIONS 1 AND 2
GROUP D



Specifications

DSM Series Monitors:

Power Requirement	12-30VDC, 50mA max.
Instrument Display	5-digit LCD, 0.5" backlit
Display Update Rate	1/sec. (RPM 2/sec.)
Instrument Range	0-9999, setable decimal point
Instrument Accuracy	±1% of reading, ±3 units

Input Signal

DSM-4688/4689DUS	(8) 0-5Vdc, 1-5Vdc, 0.5-4.5Vdc
DSM-4689DUS only	(1) C.D. ign., 100-350V., neg. grnd

Hazardous Area Classification Class I, Div. 2, Group D

Intrinsically safe option for Class I, Div. 1, Group D

Use a CSA-certified zener barrier rated at 30 volts max., 120 ohms min., such as Stahl part no. 9001/01-280-165-10

Ambient Temperature Range -40°C to 80°C (-40°F to 175°F)

Pressure and Temperature Transducers:

Power Requirement

691201 Series	5Vdc, 20mA max.
691202/691203	5Vdc, 1mA max.
691212/691213	5Vdc, 5mA max.

Accuracy

691201 Series, 0°F. to 180°F.	±1% of full scale
181°F. to 221°F.	±4% of full scale
691202/691203	±3°F. / ±2°C.
691212/691213	±6°F. / ±4°C.

Ambient Temperature Range -40°C to 105°C (-40°F to 221°F)

Ordering Information

Digital Setpoint Monitor

8 pts, analog voltage input	DSM-4688DUS
8 pts, analog voltage input	DSM-4689DUS
with Tach/Overspeed/Hourmeter function	

Pressure Transducers

0-100psi/0-680KPa	691201-100
0-300psi/0-2040KPa	691201-300
0-500psi/0-3400KPa	691201-500
0-1000psi/0-6800KPa	691201-1000
0-2000psi/0-136bar	691201-2000
0-5000psi/0-340bar	691201-5000

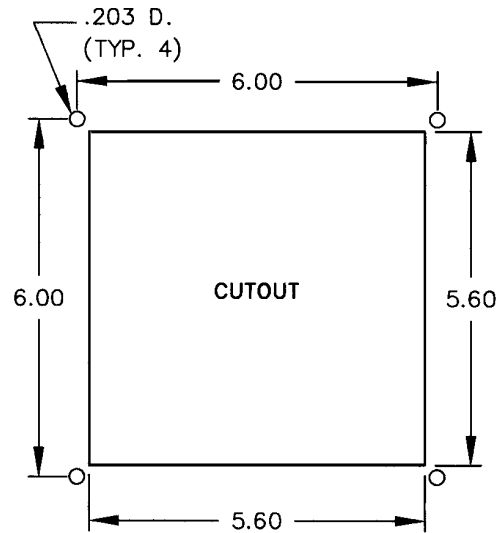
Temperature Transducers

Range: ±5°F. to 300°F. / -15°C. to 150°C.	
1.75" length	691202-300
5.75" length	691203-300
Range: -40°F. to 450°F. / -40°C. to 230°C.	
1.75" length	691212-450
5.75" length	691213-450

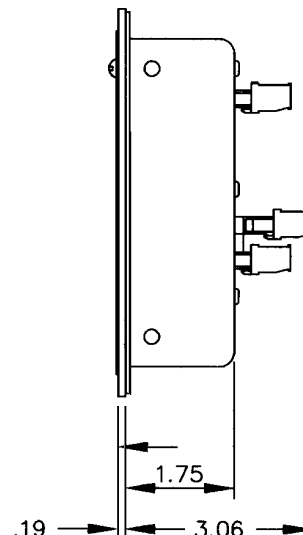
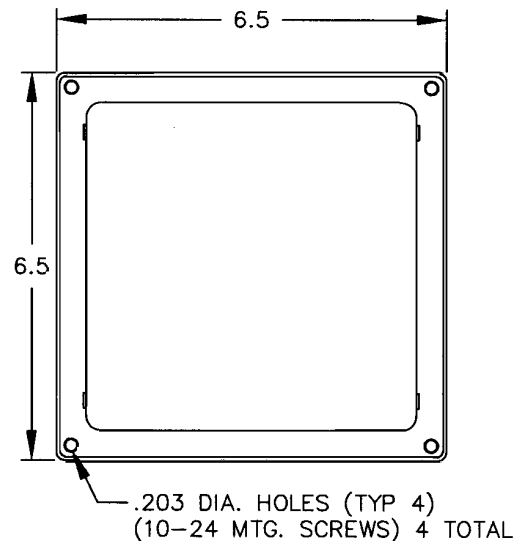
Transducers Cables

5' length	693008-5
25' length	693008-25
50' length	693008-50

Display Module Dimensions



Recessed Mounting



ALTRONIC

A Member of the HOERBIGER Group

712 Trumbull Avenue / Girard, Ohio 44420
 (330) 545-9768 / Fax: (330) 545-9005
 www.altronic-llc.com Email: sales@altronic-llc.com

FORM DSM 8-22 ©2022 Altronic, LLC